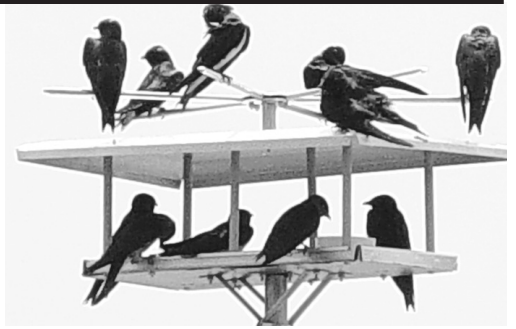


Instructions and Parts List

Martin Post Feeder



Use to serve eggshells, supplemental food and/or to provide nesting materials

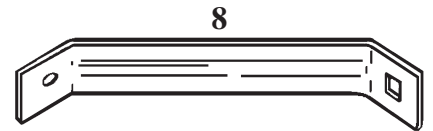
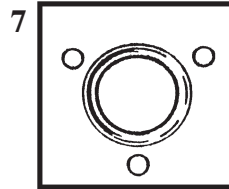
To ensure safety for the birds, install a predator guard (SOLD SEPARATELY) on pole

This Martin Post Feeder is designed for mounting on a 1-1/4" outside diameter tube or on a 1" standard pipe (1-5/16" outside diameter). Models MPQ or DP-16 telescoping poles will work with this product. Check parts against this list before starting assembly. If any shortages are found, refer to Packing Slip for claim instructions.

PLEASE READ INSTRUCTIONS THOROUGHLY BEFORE STARTING ASSEMBLY

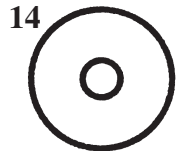
PARTS PACKED IN THIS BOX

<u>Code #</u>	<u>Item</u>	<u>Qty.</u>	<u>Description</u>
25028	1	1	Guard barrier floor
24773	2	1	Flat roof
65666	3	8	1/8x6-3/4 tie rod
65657	4	8	3/8x6 roof support tube
66382	5	6	Perch rod
27234	6	6	1-1/2x1-1/2 adhesive texture strips (in small bag)

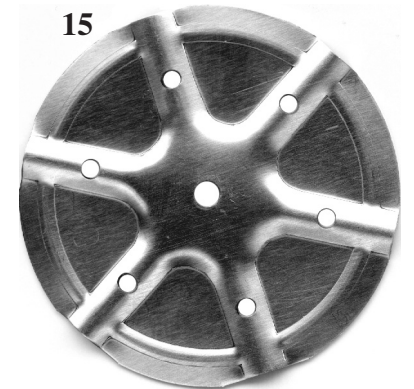


#90060 MOUNTING BRACKET ASSEMBLY

24789	7	1	Tube end plate
24790	8	4	Brace
20419	9	2	1-1/4 "O" clamps
32035	10	2	1/4-20x1 hex head machine bolt (HHMB)
32019	11	2	1/4-20 nylon insert nut
40050	12	7	10-24x1/2 round head machine screw (RHMS)
40525	13	7	10-24 nylon insert nut
24400	14	4	.038x3/4 O.D.x3/16 I.D. aluminum washer

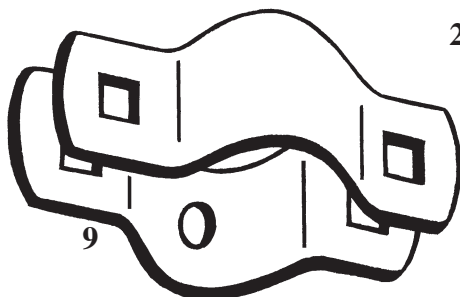


15

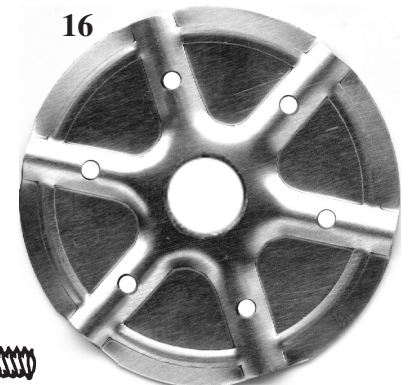


#900015 POST FEEDER HARDWARE

27428	15	1	Perch bracket
27430	16	1	Modified perch bracket
66380	17	1	3/4x2 aluminum tube
40525	13	1	10-24 nylon insert nut
35288	18	22	6-32 acorn nut
35272	12	1	10-24x3 round head machine screw (RHMS)
24400	19	1	.038x3/4 O.D.x3/16 I.D. aluminum washer
35266	20	6	6-32x5/8 round head machine screw (RHMS)



PARTS SHOWN ARE FOR ILLUSTRATION PURPOSES ONLY AND ARE NOT NECESSARILY ACTUAL SIZE.



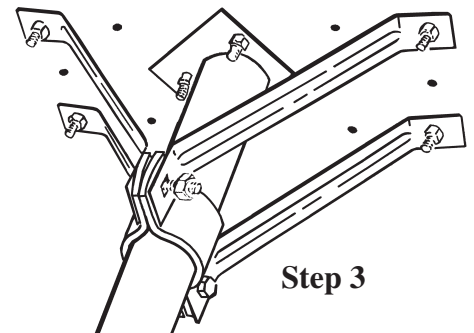
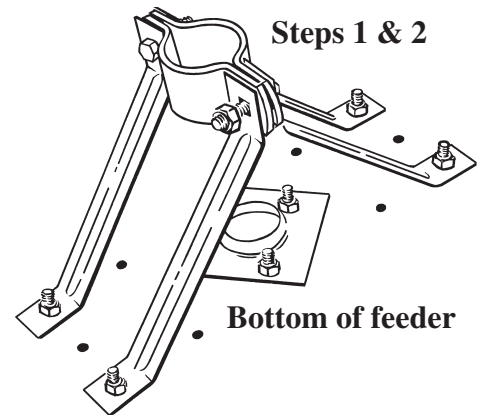
MARTIN POST FEEDER ASSEMBLY INSTRUCTIONS

STEPS 1-4: MOUNTING BRACKET ASSEMBLY (90060): Step 1. Attach the tube end plate (7) to the bottom of the guard barrier floor (1) using three each 10-24x1/2 RHMS (12) and 10-24 nylon insert nuts (13), making sure the screw heads are on **top** of the floor. When all three screws are in place they can be tightened.

Step 2. Using one each .038x3/4 O.D.x3/16 I.D. aluminum washer (14), 10-24x1/2 RHMS (12) and 10-24 nylon insert nut (13), attach one brace (8) to the bottom of the floor (1). Repeat this step with the remaining braces (8). Make sure you are inserting the 10-24x1/2 RHMS (12) through the ends with the smaller holes. **DO NOT** tighten at this time.

Step 3. Using two each 1-1/4 "O" clamps (9), 1/4-20x1 HHMB (10) and 1/4-20 nylon insert nuts (11), sandwich loose ends of braces (8). **DO NOT** tighten at this time. This will allow you to slip a 1-1/4" post through the 1-1/4 "O" clamps (9) and insert tube end plate (7) into top of post.

Step 4. Return to Step #2 and tighten 10-24x1/2 RHMS (12) that hold braces (8) in place. You may now install floor (1) onto a 1-1/4" post and tighten the two 1/4-20x1 HHMB (10). This makes final assembly less difficult.



STEPS 5-9: POST FEEDER HARDWARE (900015): Step 5. Put one 6-32 acorn nut (18) onto one end of a tie rod (3) until tie rod (3) end is flush with top of acorn nut (18). Repeat with remaining seven tie rods (3).

Step 6. Insert one tie rod (3) in a corner hole of roof (2), through a roof support tube (4), on through a corner hole in the floor (1), and loosely install a 6-32 acorn nut (18). Repeat Step 6 on remaining roof (2) corners.

Step 7. Install four center roof support tubes (4) in the same manner as in Step 6. After all eight roof support tubes (4) are installed, tighten the eight 6-32 acorn nuts (18).

Step 8. Insert one 6-32x5/8 RHMS (20) through a hole in perch bracket (15), through hole in end of perch rod (5), on through a hole in modified perch bracket (16) and loosely install one 6-32 acorn nut (18) making sure the seam in the perch rod (5) faces the modified perch bracket (16). Repeat with remaining five perch rods (5), then tighten all 6-32 acorn nuts (18).

Step 9. Insert 10-24x3 RHMS (12) through top of perch bracket (15) and into 3/4x2 aluminum tube (17) making sure end of aluminum tube (17) seats in center of modified perch bracket (16). Next, insert a 10-24x3 RHMS (12) into hole provided in center of flat roof (2). Secure in place with a .038x3/4 O.D.x3/16 I.D. aluminum washer (14) and a 10-24 nylon insert nut (13).

Step 10. Place 1-1/2x1-1/2 adhesive texture strips (6) over square holes in floor.

For replacement parts or accessories call toll-free 877-833-2478 or 800-255-2692



Nature House products by
ERVA TOOL & MFG CO INC

3100 W GRAND AVE, CHICAGO IL 60622-4324

Phone 800-342-3782

E-mail <ervatool@sbcglobal.net>

Fax 800-342-3781

Nature House — bringing the benefits of nature to your house

