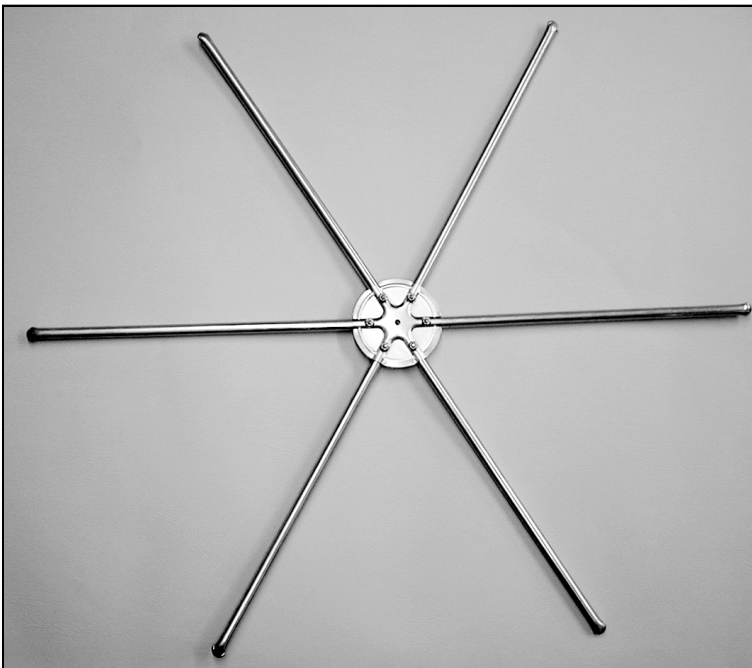


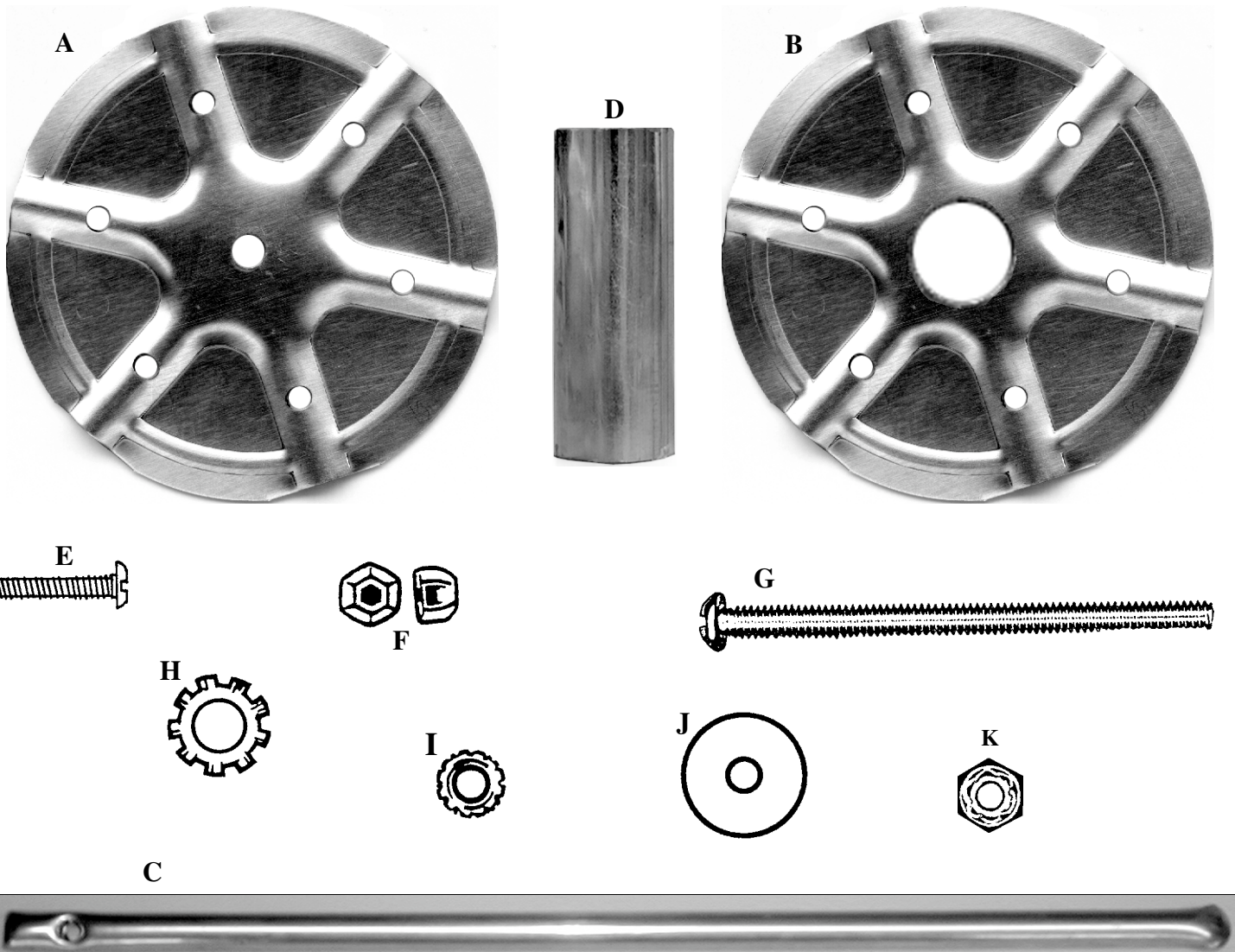
# DHPA PERCH

Fits DH-12, DH-12N,  
PMC-24 and TM-12 houses



## PARTS LIST

<u>Code #</u>	<u>Item</u>	<u>Qty</u>	<u>Description</u>
27428	A	2	Perch brackets
27430	B	1	Perch bracket - modified
66382	C	6	12" Perch rods
66380	D	1	Spacer tube
35257	E	6	6-32x3/4" Machine screws
35288	F	6	6-32 Acorn nuts
35272	G	1	10-24x3" Machine screw
32020	H	1	5/16" Star Lock washer
40550	I	1	10-24 Keps nut
24400	J	1	3/4" O.D. flat washer
40525	K	1	10-24 Lock nut



(NOTE: Item "C" is shown at a reduced size.)

# DHPA PERCH

## Assembly Instructions

*See page 3 to determine the model of your martin house*

**NOTE:** This is a “universal” perch, so you **will** have some extra parts.  
Parts are listed and illustrated on page 1.

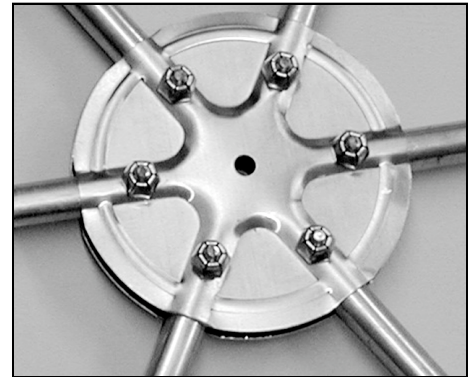
### DH-12 and DH-12N

**NOTE: For already assembled houses, the roof MUST be removed to install lock nut (K) under roof finial.**

1. Assemble one perch bracket (A), one perch bracket modified (B) and six perch rods (C).
2. Use six each acorn nuts (F) and machine screws (E) as shown in photo at right.

**NOTE: Modified perch bracket will be at bottom of assembly.**

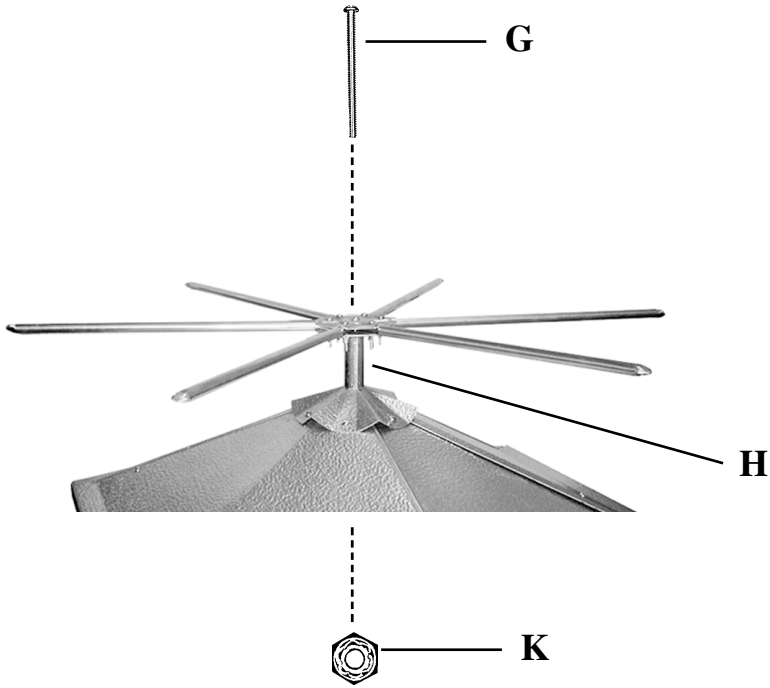
3. Use DH-12 and DH-12N photos (page 3) as a guide for installation.



### PMC-24 and TM-12



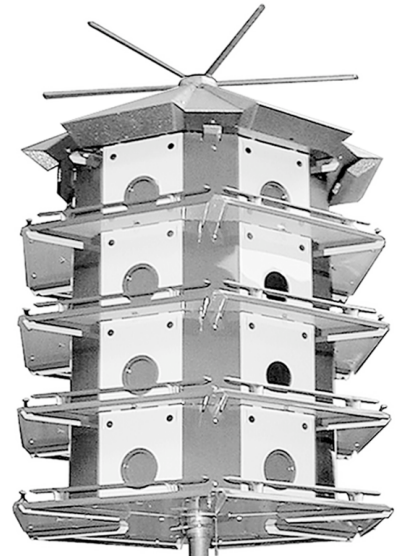
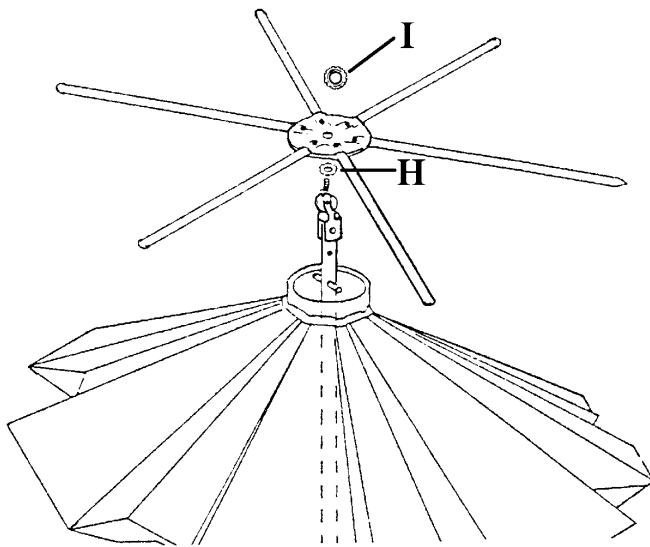
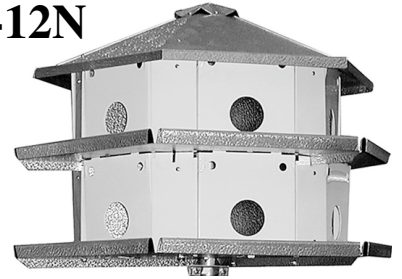
1. Assemble two perch brackets (A) and six perch rods (C).
2. Use six each acorn nuts (F) and machine screws (E) as shown in photo above.  
**Acorn nuts must be on top side of assembly for roof clearance.**
3. Use PMC-24 and TM-12 photos (page 3) as a guide for installation.
4. On the TM-12, rivet heads on the roof finial must be aligned as shown in relation to the pulley groove.  
(See illustration on page 3.)



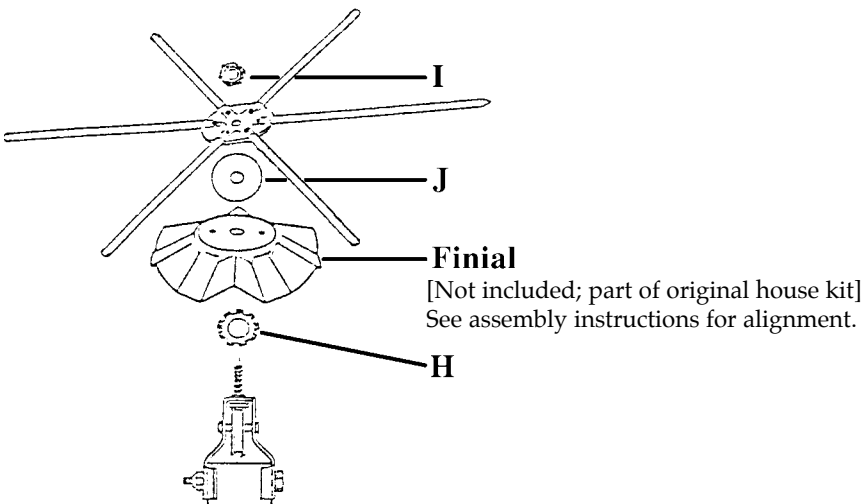
**DH-12**



**DH-12N**

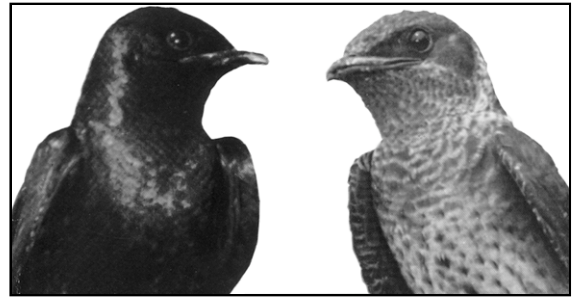


**PMC-24 Castle**

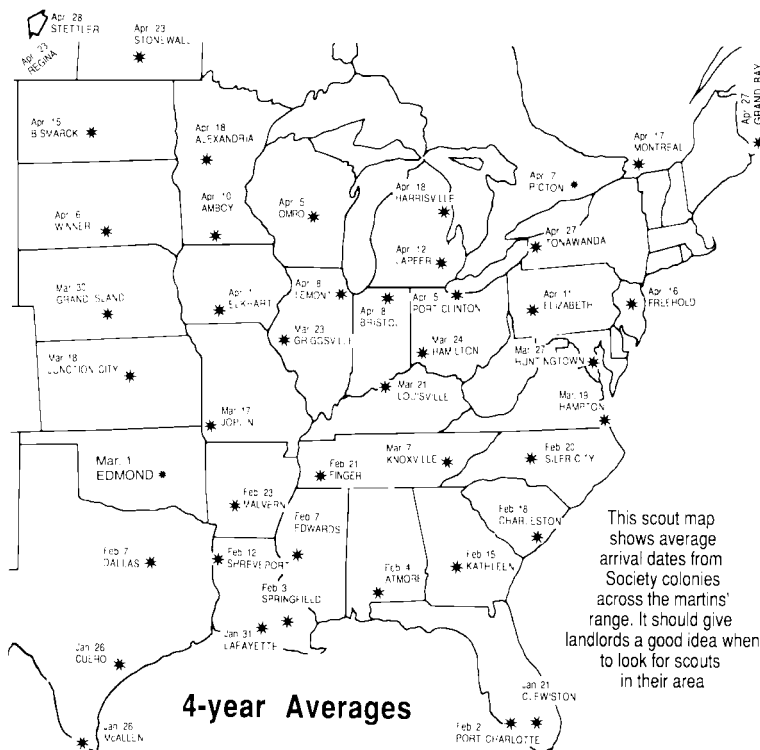


**TM-12 Mini Castle**

## Purple Martin (*Prógne súbis*) facts:



- Adult martins are about 7-1/2 inches long and weigh 1-1/2 to 2 ounces. Wing span is 15 inches. They are the largest of the swallow family.
- Mature males are glossy iridescent blue-black all over. Females and immature martins (both male and female) are blue-black on top of head and back, gray on chin, breast and abdomen.
- Purple martins are entirely dependent on flying insects for food.
- Only bird species in the world relying almost totally upon man for nesting sites.
- Prefer nesting in specially built apartment buildings mounted approximately 14 feet off the ground.
- Choosing to nest in the company of other martins, purple martins are “colony nesters”.
- Martins are loyal to their homes; once they have nested successfully at a site, they usually return year after year. Young fledged from the colony site will return to the same vicinity the next year.
- Aptly termed “semi-domesticated”, martins show a marked preference for nesting near human activity.
- Martins have been clocked flying more than 40 miles per hour.
- Their beautiful song, not easily described, is a favorite bird song of their enthusiasts.
- Martin houses should have a 2-1/8” entrance hole one-inch off the floor.



- Houses should be mounted in the open, at least 30-40 feet from anything as tall as the house, but placed within 100 feet of human activity.
- The oldest documented purple martin lived more than 13 years.
- Martins are “neotropical migrants,” wintering in South America (chiefly in Brazil), then migrate to North America (most states east of the Rockies, lower parts of Canada) to nest.
- They typically spend around five months in their North American nesting grounds, leaving four months for migration both ways.
- Once martins arrive in full (2-4 weeks from scout’s arrival) they begin nest building; lay 4-5 eggs that hatch in about 15 days. Purple martin babies normally take 28 days to fledge (from hatching to flying).

**For replacement parts or accessories call toll-free 877-833-2478 or 800-255-2692**



Nature House products by  
**ERVA TOOL & MFG CO INC**  
 3100 W GRAND AVE, CHICAGO IL 60622-4324



Phone 800-342-3782 E-mail <ervatool@sbcglobal.net> Fax 800-342-3781

Nature House — bringing the benefits of nature to your house